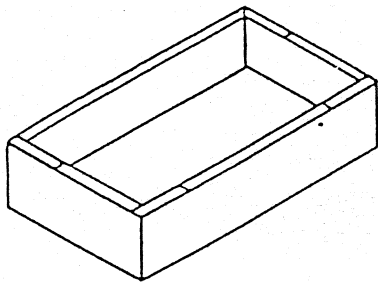
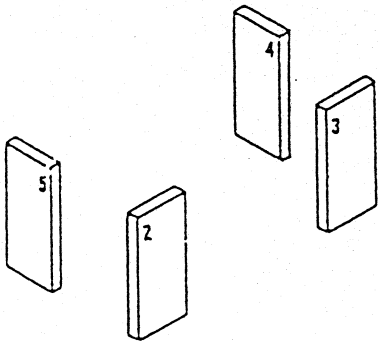
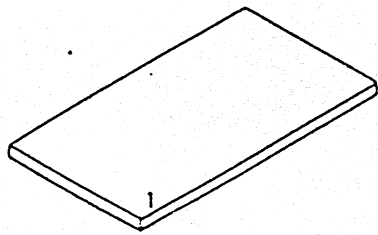
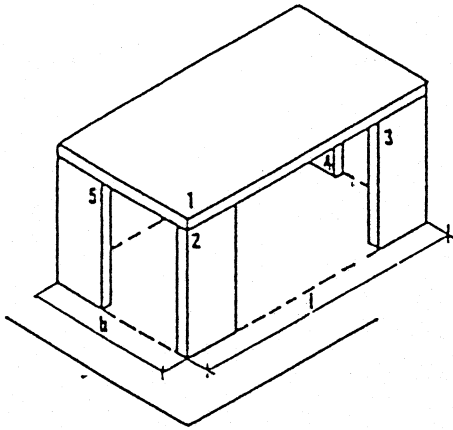
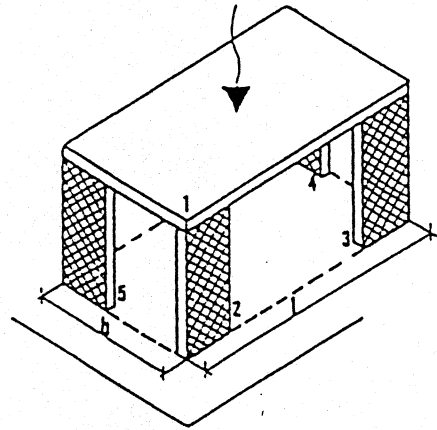


# CONSTRUCTION

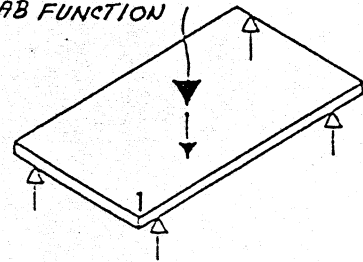


# STATIC ANALYSIS

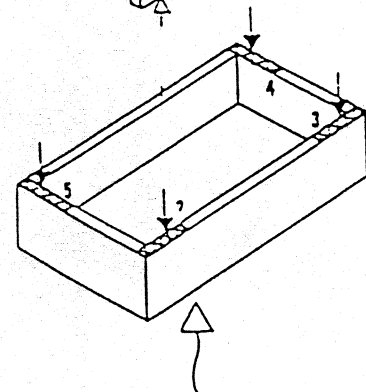
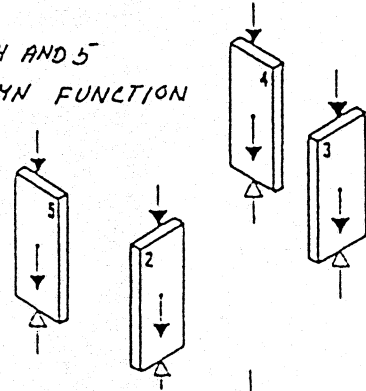
Vertical Loads



1. SLAB FUNCTION

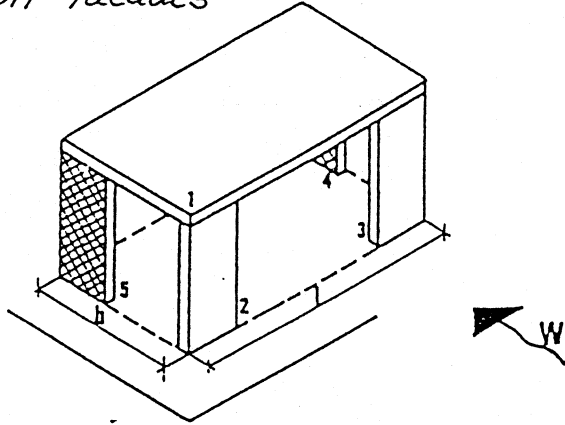


2, 3, 4 AND 5  
COLUMN FUNCTION



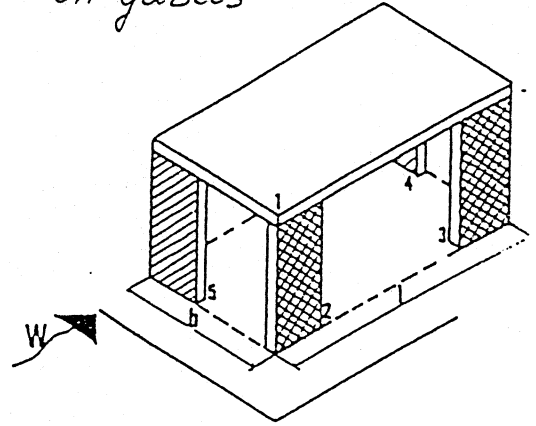
# STATIC ANALYSIS

Horizontal loads applied  
on facades

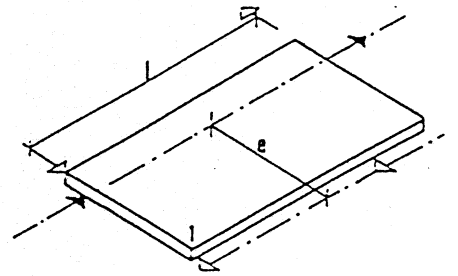
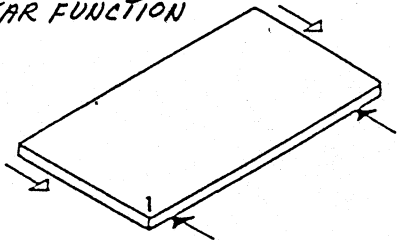


# STATIC ANALYSIS

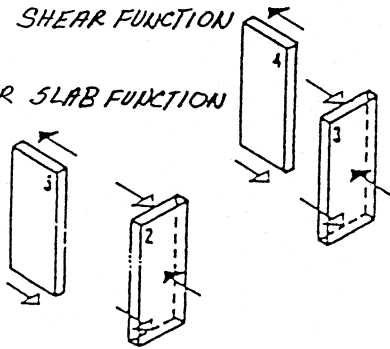
Horizontal loads applied  
on gables



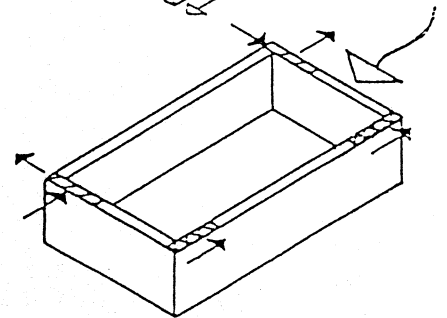
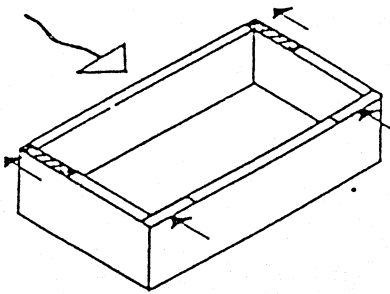
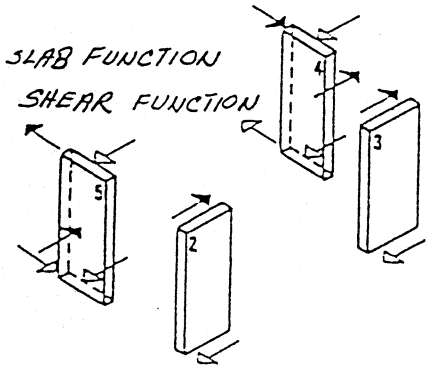
## 1. SHEAR FUNCTION



4 AND 5: SHEAR FUNCTION  
2 AND 3: BEAM-OR SLAB FUNCTION

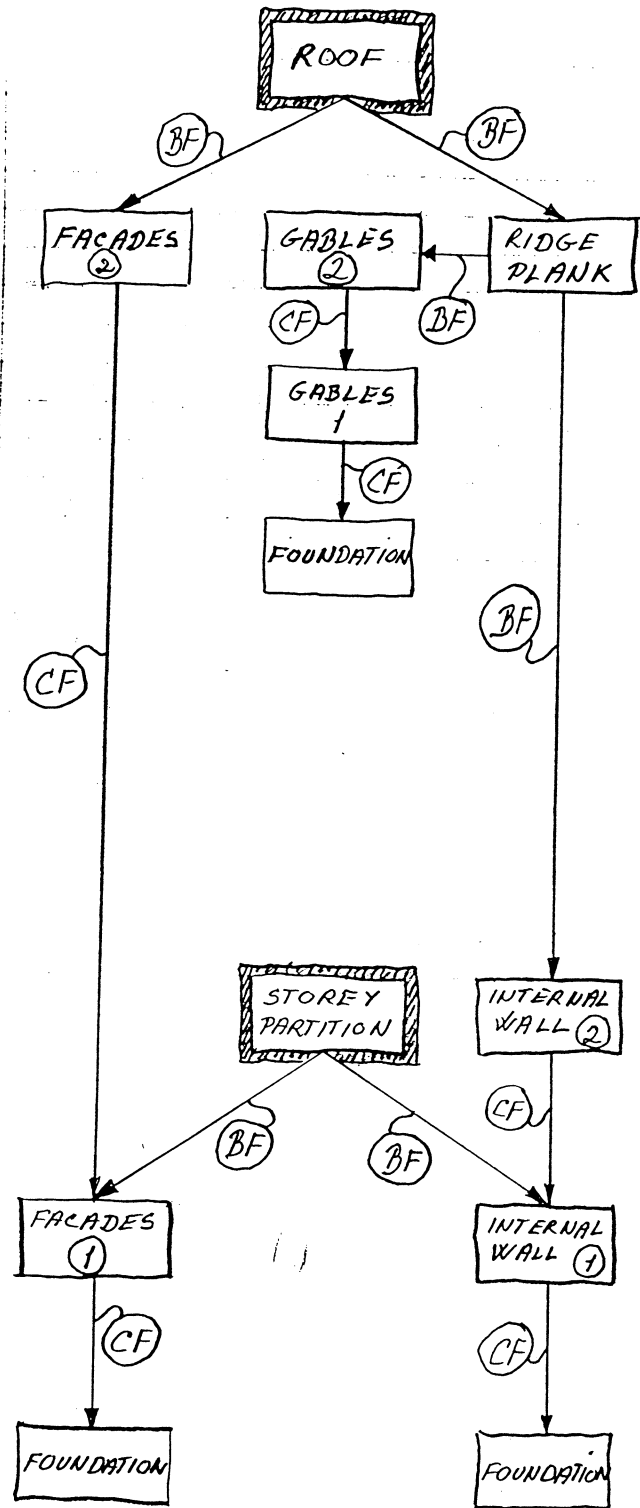
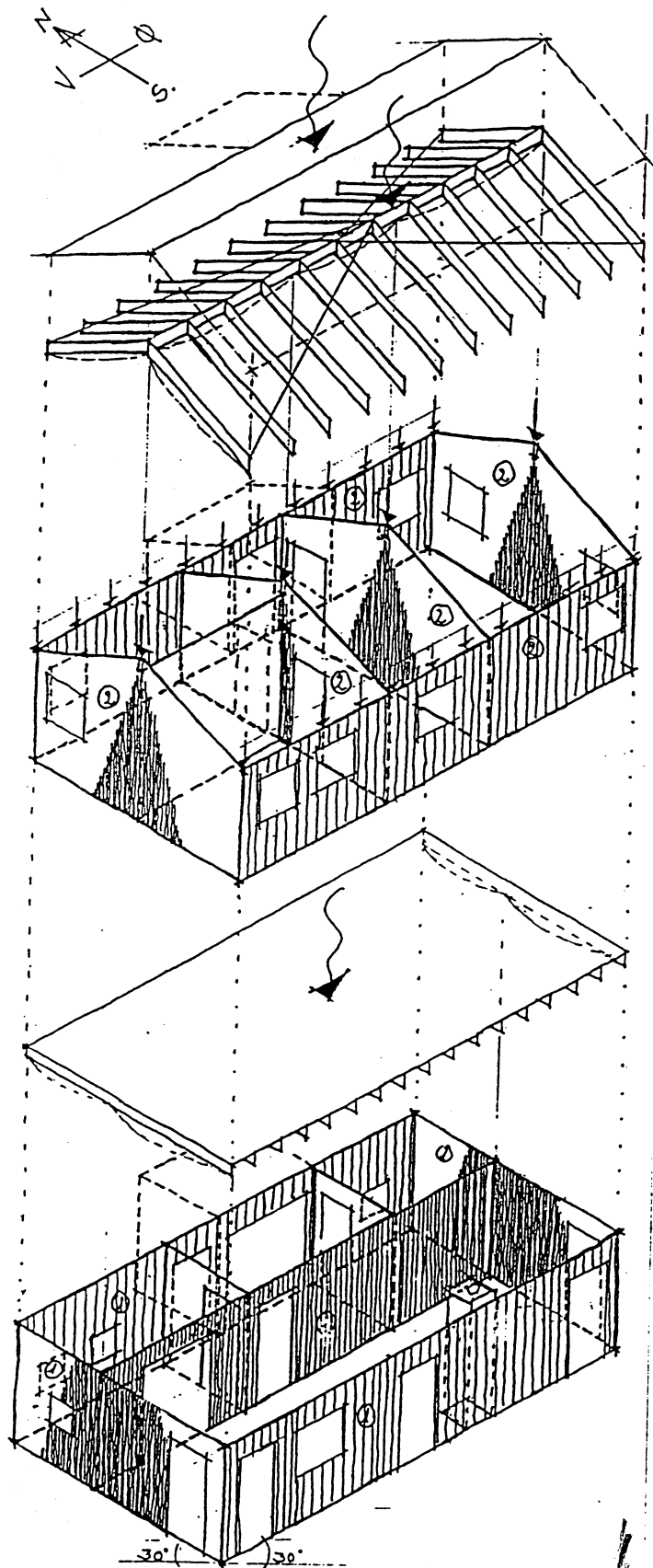


4 AND 5: BEAM-OR SLAB FUNCTION  
2 AND 3: SHEAR FUNCTION



# STATIC ANALYSIS

## VERTICAL LOADS

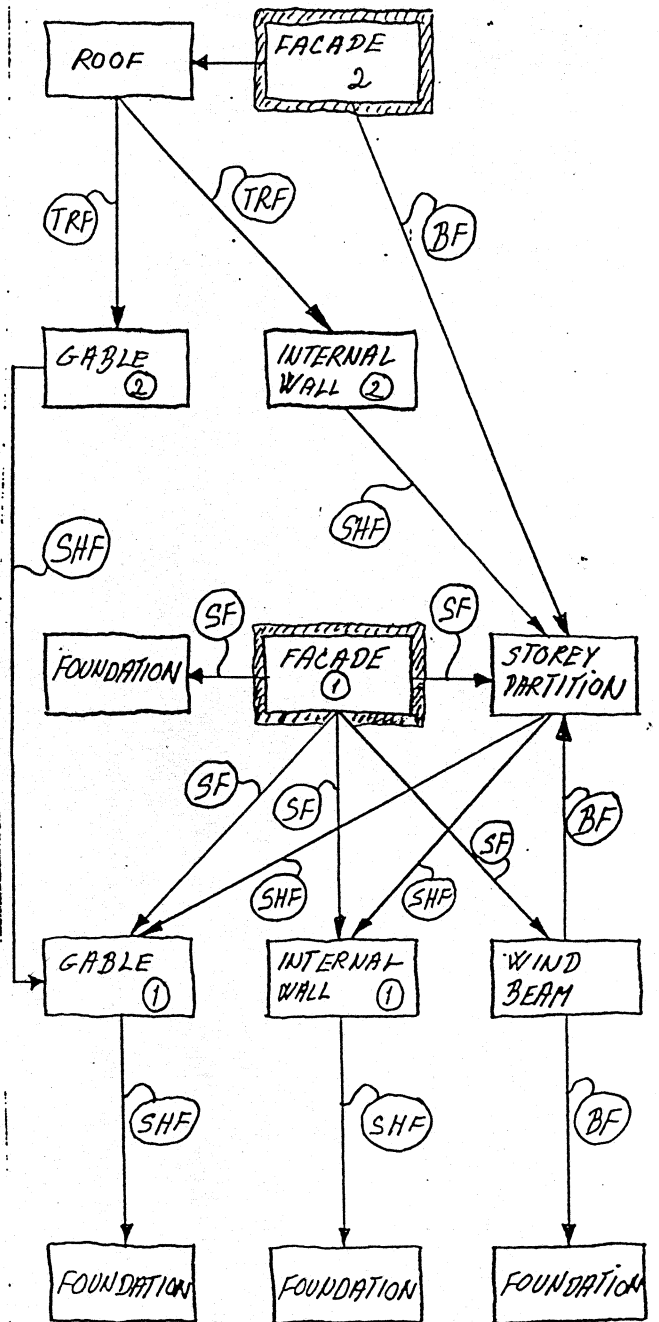
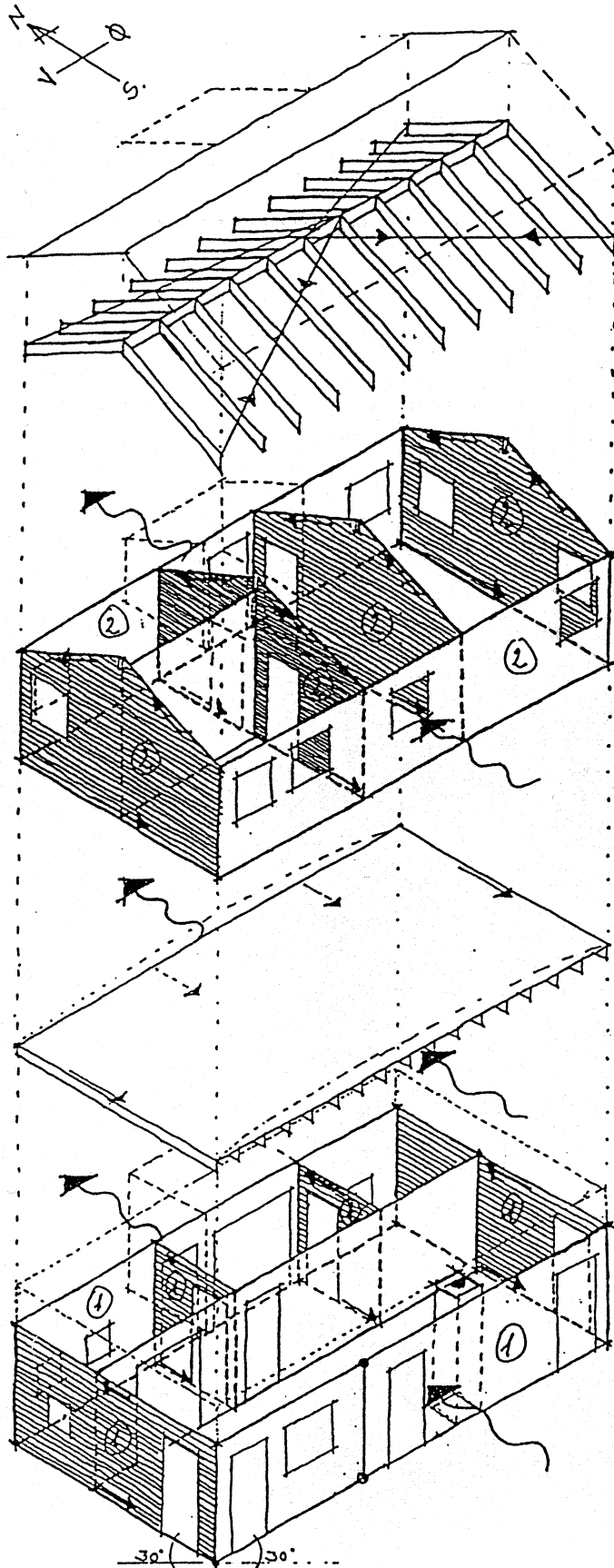


(BF) = BEAM FUNCTION

(CF) = COLUMN FUNCTION

# STATIC ANALYSIS

## HORIZONTAL LOADS APPLIED ON FACADES



(BF) = BEAM FUNCTION

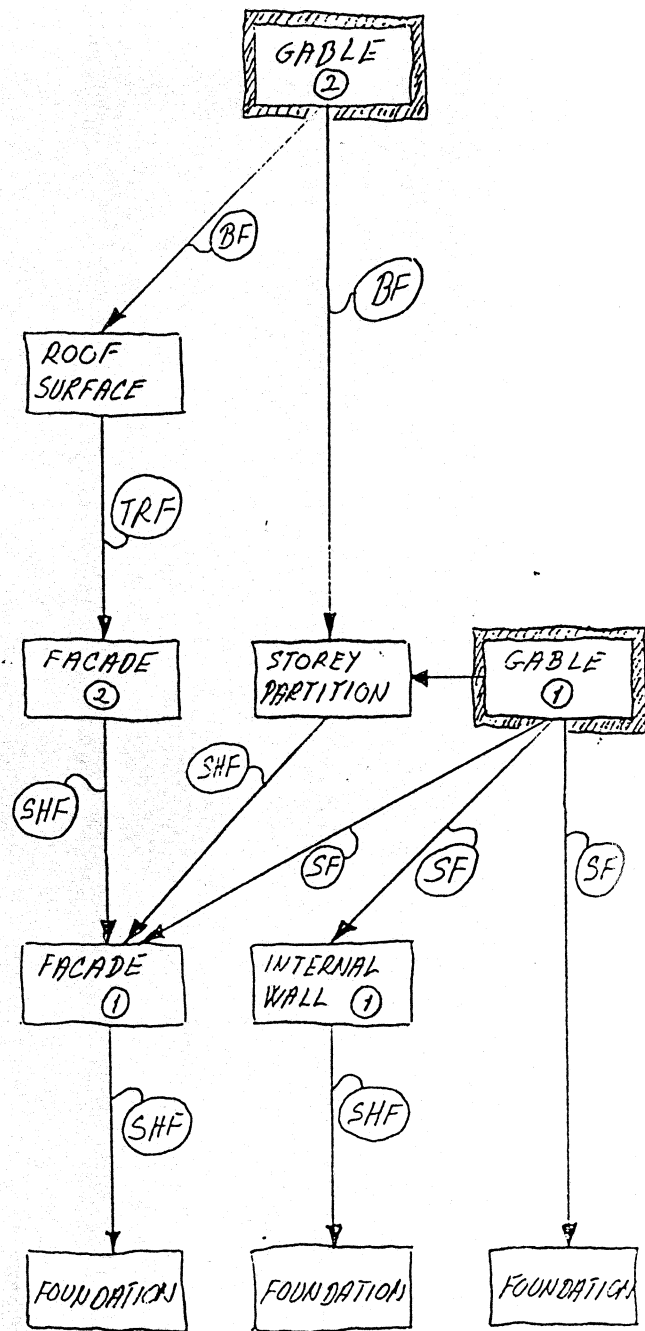
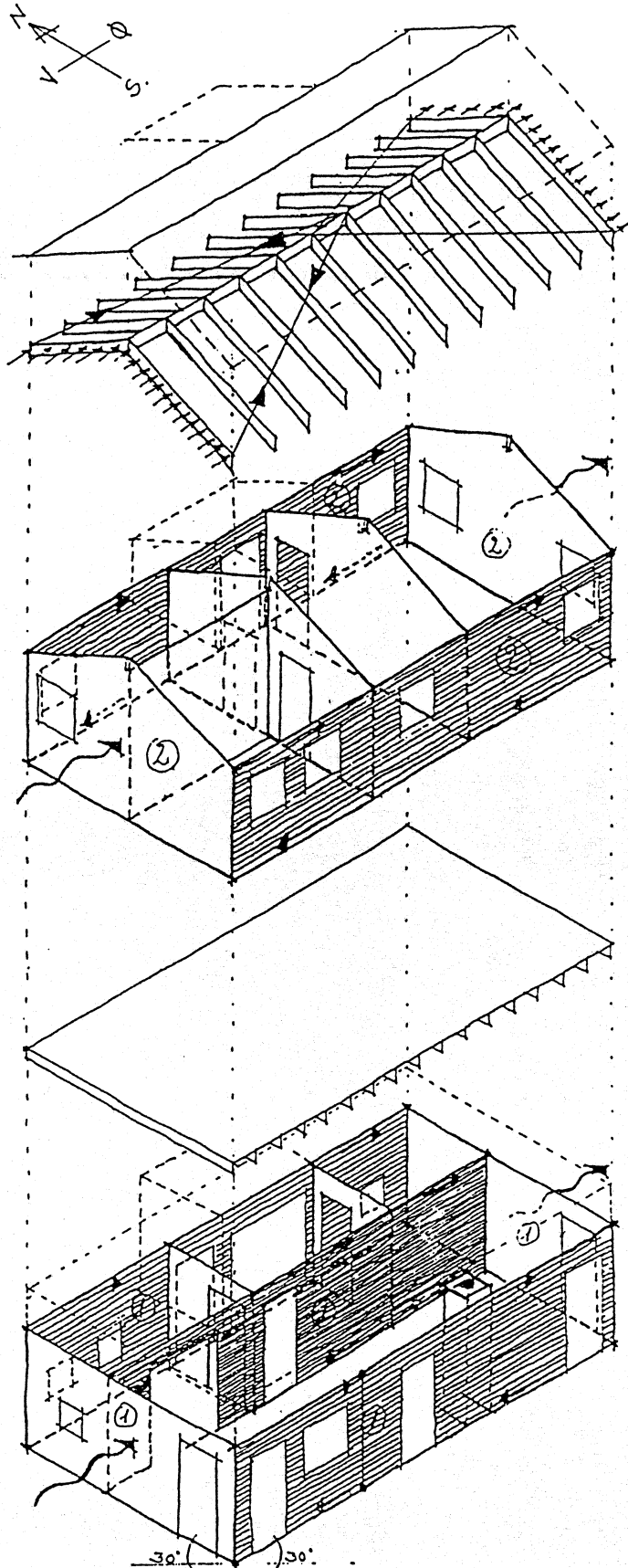
(TRF) = TIE ROD FUNCTION

(SHF) = SHEAR FUNCTION

(SF) = SLAB FUNCTION

# STATIC ANALYSIS

## HORIZONTAL LOADS APPLIED ON GABLES



(TRF) = TIE ROD FUNCTION

(SHF) = SHEAR FUNCTION

(SF) = SLAB FUNCTION

(BF) = BEAM FUNCTION